



EoSens1.1MCX12-CM

EoSens® CoaXPress12

High-Speed with CoaXPress-12

Mikrotron CoaXPress-12 cameras comply with the CoaXPress 2.0 specification and transmit at 4 lanes up to 50Gbit/s. They meet the highest requirements for minimum latency and jitter. They satisfy most stringent requirements for minimum latency and jitter. The cameras are very light sensitive and support multiple binning modes and ROIs depending on the model.

Technical Highlights:

- scalable interface with 1, 2 or 4 connections
- complies with CoaXPress 2.0 standard, compatible with CXP 1.0 standard
- light sensitive sensor
- only 80 x 80 x 66 mm small
- Shock and vibration resistant



Alt + K

SPECIFICATIONS

Resolution [MP]	1.1 MP
Resolution (h x v)	1280 x 864 px
Frame rate (max.)	3674 fps
Chroma	mono
Interface	CXP-12 with 4 Connections

SENSOR

Sensor	LUX13HS
Manufacturer	Luxima
Sensor type	Area CMOS
Shutter type	global shutter
Sensor size (h x v)	17.54 x 11.84 mm
Optical diagonal	21.16 mm
Sensor format	4/3 "
Pixel size (h x v)	13.7 x 13.7 µm

FRAME RATES

1280 x 864	3674 fps
1280 x 768	4151 fps
640 x 480	6576 fps
128 x 128	23821 fps

CAMERA

Exposure modes	EXTERNAL
Trigger modes	Button, External TTL Signal, CXP-Trigger
Exposure time (min)	2 µs
Exposure time (max)	1 sec (external ∞)
Pixel format / max	mono8, mono10 / 10 bit

FEATURE SET

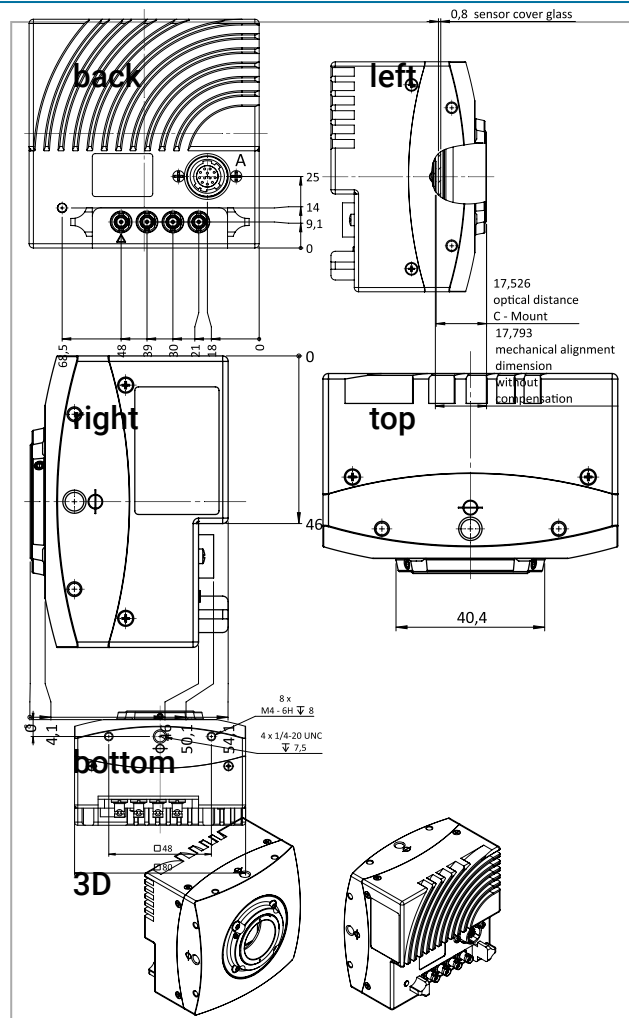
AOI	yes
Shading correction	yes
Defect pixel correction	yes
PoCXP	yes

HOUSING

Lens mount	C-Mount
Dimensions (w x h x d)	80 x 80 x 54.3 mm
Weight	500 g
Ambient temperature	-10 to 45 °C
Ambient humidity	10 to 90 % (non-condensing)
Shock / Vibration proof	70 g / 7 grms
Protection class	IP30

I/O-INTERFACES

Input up to 24V	2 x
Input Galvanic	2 x
Output Galvanic	2 x
Power supply	12 to 24 V (DC)
Power consumption	14 W (dep. on operating mode)



Alt + K